

Masport[®] Heating

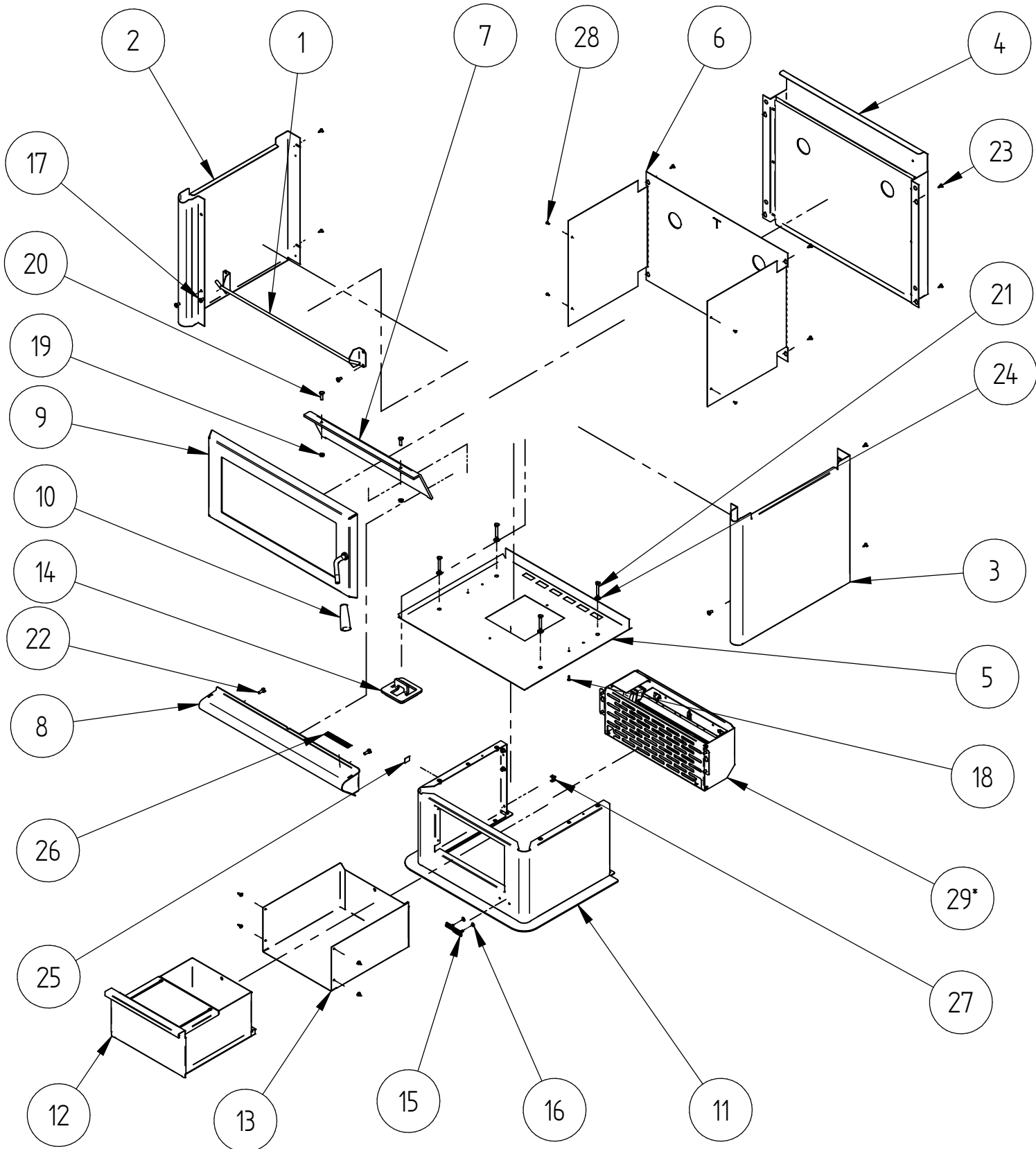
FREESTANDING WOOD FIRES

R5000 - AUSTRALIA

Item No.	MARKET	FUEL TYPE	FINISHING	YEAR	FAN
983911 (PEDESTAL)	AU	HARDWOOD	Metallic Black VHT Paint	Nov-2012	Optional
983913 (LEG)					



PANELS, DOOR AND PEDESTAL (PEDESTAL)



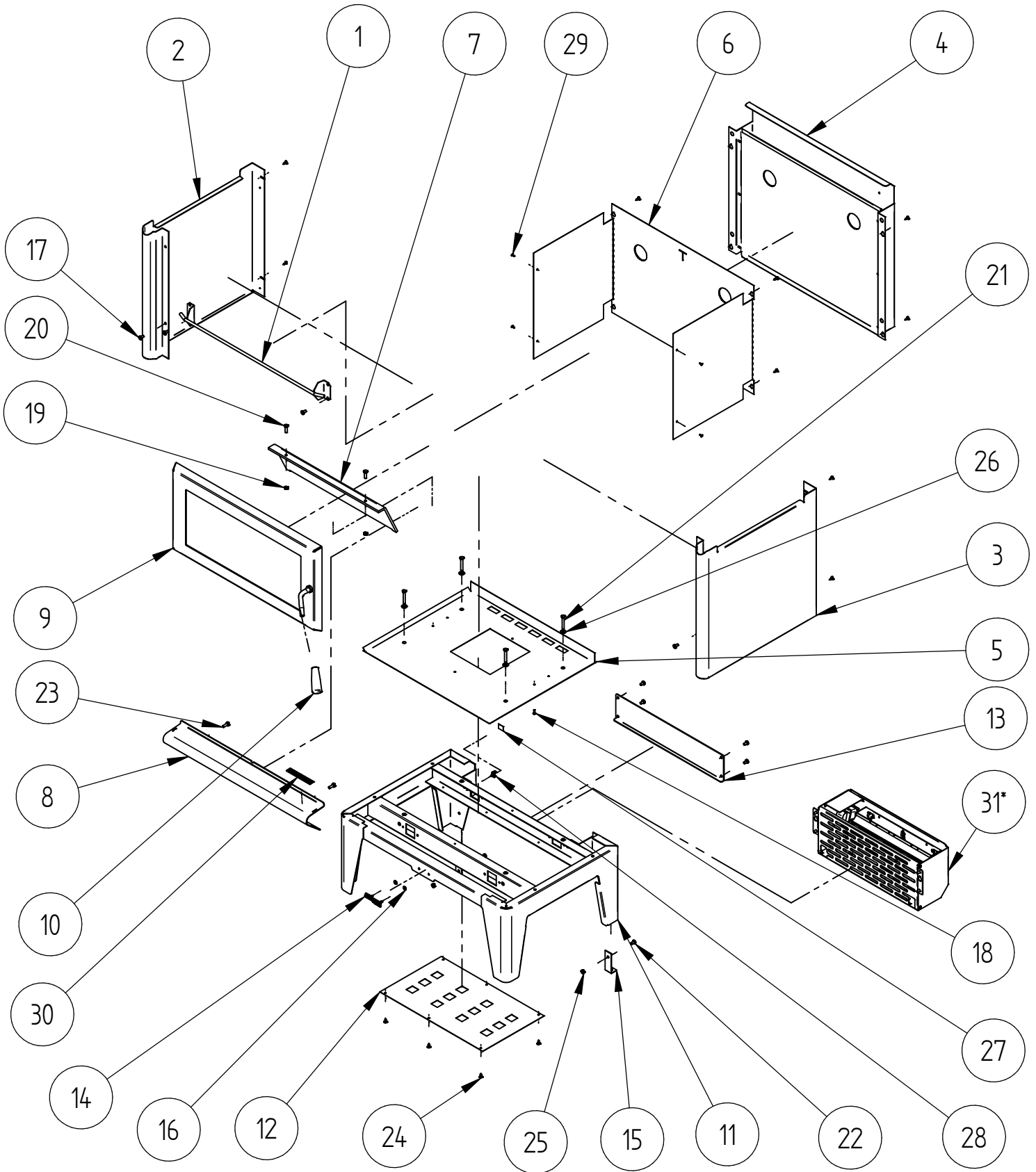
When ordering PLEASE QUOTE PART ID, MODEL Number & DESCRIPTIONS, NOT ITEM Number
determining left hand side from viewing position

PANELS, DOOR AND PEDESTAL (PEDESTAL)				
Item	Part ID	Model(s)	Description	Qty
		983911		
1	983276	V02	R5000 LOUVER ASSEMBLY	1
2	983206	V02	R5000 L/H SIDE PANEL	1
3	983207	V02	R5000 R/H SIDE PANEL	1
4	983232	V02	R5000 REAR PANEL ASSY	1
5	983208	-	R5000 BASE H/S	1
6	983210	-	R5000 HEAT SHIELD WRAP	1
7	983240	-	R5000 F/BOX LOWER PLATE	1
8	983217	V02	R5000 ASH SHELF	1
9	983231	-	R5000 DOOR ASSY COMPLETE	1
10	PYR00376	-	PYR DOOR HANDLE	1
11	983214	V02	R5000 WELD PEDESTAL ASSY	1
12	983248	V02	R5000 ASH DRAWER ASSY	1
13	983253	-	R5000 PED ASH DRAWER SUPPORT	1
14	983019	V02	PLUG SHEET METAL	1
15	587835	-	BADGE MASPORT HEATING	1
16	526009	-	CLIP; STARLOCK M4	2
17	521045	-	SCREW; M6X10 PAN POZI BLK	4
18	524006	-	RIVET; 73 AS 5-5	2
19	522107	-	NUT; HEX STD M6 BLK	2
20	521054	-	SCREW; M6X20 HEX ZP	2
21	521077	-	SCREW; M6X40 HEX ZP	4
22	521076	-	SCREW; M6X16 HEX ZP	2
23	521645	-	SCREW; S/T 8GX1/2" MUSH FLANGE POZI BLK	16
24	523036	-	WASHER; FLAT 1/4"X5/8" BLK	4
25	585631	-	DECAL EARTH	1
26	595695	-	DECAL "BURN ONLY" COMBINED NZ/AUS	1
27	596603	-	EARTH TAB RIVET BN11	1
28	524010	-	RIVET; 73 AS 4-3 LONG	4
29*	983915	-	R5000 NZ FAN KIT COMPLETE	1

*Optional Sale Kit

When ordering PLEASE QUOTE PART ID, MODEL Number & DESCRIPTIONS, NOT ITEM Number
determining left hand side from viewing position

PANELS, DOOR AND PEDESTAL (LEG)



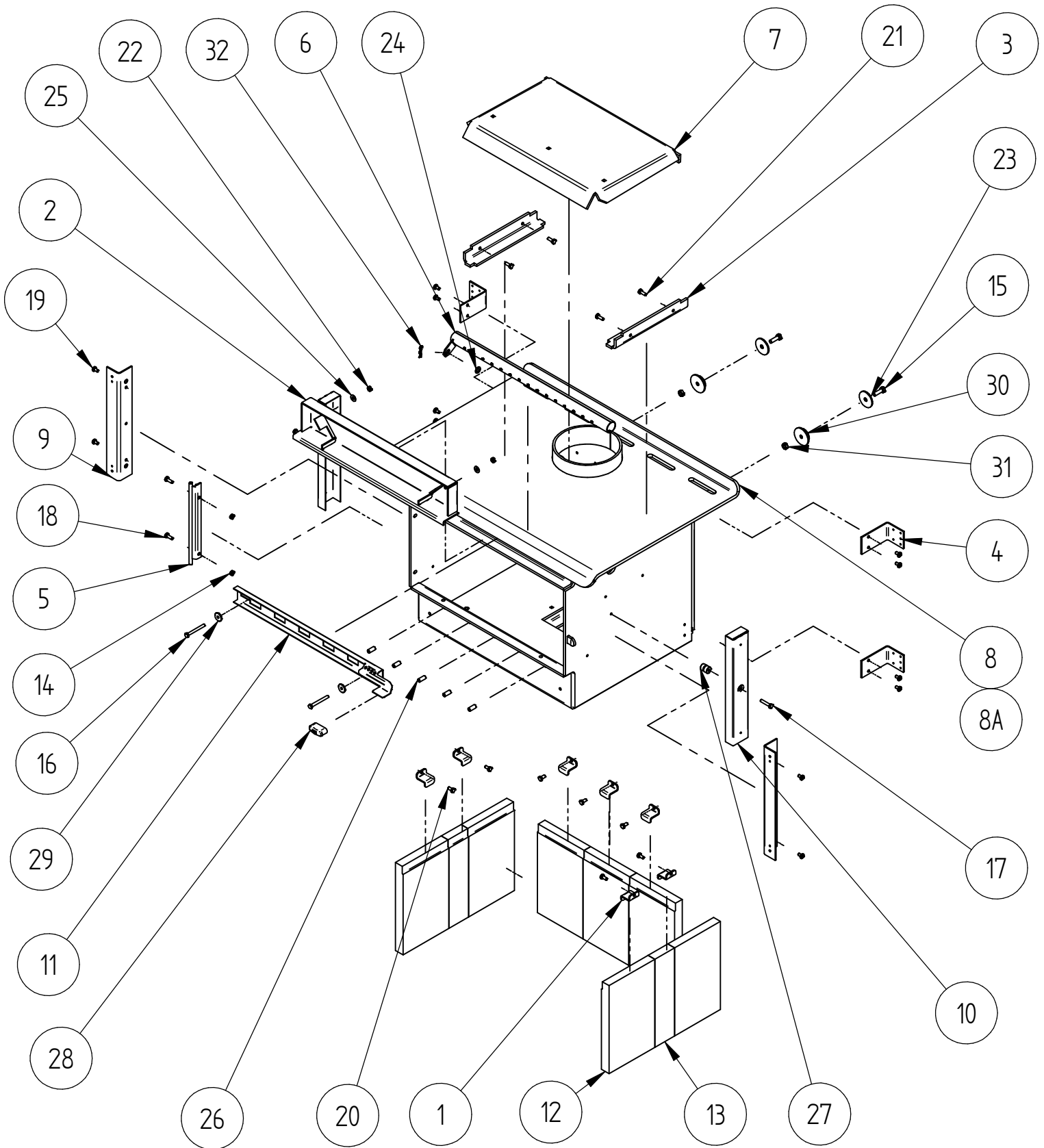
When ordering PLEASE QUOTE PART ID, MODEL Number & DESCRIPTIONS, NOT ITEM Number
determining left hand side from viewing position

PANELS, DOOR AND PEDESTAL (LEG)				
Item	Part ID	Model(s)	Description	Qty
		983913		
1	983276	V02	R5000 LOUVER ASSEMBLY	1
2	983206	V02	R5000 L/H SIDE PANEL	1
3	983207	V02	R5000 R/H SIDE PANEL	1
4	983232	V02	R5000 REAR PANEL ASSY	1
5	983208	-	R5000 BASE H/S	1
6	983210	-	R5000 HEAT SHIELD WRAP	1
7	983240	-	R5000 F/BOX LOWER PLATE	1
8	983217	V02	R5000 ASH SHELF	1
9	983231	-	R5000 DOOR ASSY COMPLETE	1
10	PYR00376	-	PYR DOOR HANDLE	1
11	983242	V02	R5000 LEGS ASSEMBLY	1
12	983241	-	R5000 LEGS ASH DUMP SHIELD	1
13	983277	V02	R5000 LEGS REAR BRACE	1
14	587835	-	BADGE MASPORT HEATING	1
15	MIR00179	-	MIR SIESMIC BRACKET	2
16	526009	-	CLIP; STARLOCK M4	2
17	521045	-	SCREW; M6X10 PAN POZI BLK	4
18	524006	-	RIVET; 73 AS 5-5	2
19	522107	-	NUT; HEX STD M6 BLK	2
20	521054	-	SCREW; M6X20 HEX ZP	2
21	521077	-	SCREW; M6X40 HEX ZP	4
22	521046	-	SCREW; M6X10 PAN POZI ZP	6
23	521076	-	SCREW; M6X16 HEX ZP	2
24	521645	-	SCREW; S/T 8GX1/2" MUSH FLANGE POZI BLK	18
25	522117	-	NUT; HEX STD M6 ZP	2
26	523036	-	WASHER; FLAT 1/4"X5/8" BLK	4
27	585631	-	DECAL EARTH	1
28	596603	-	EARTH TAB RIVET BN11	1
29	524010	-	RIVET; 73 AS 4-3 LONG	4
30	595695	-	DECAL "BURN ONLY" COMBINED NZ/AUS	1
31*	983915	-	R5000 NZ FAN KIT COMPLETE	1

*Optional Sale Kit

When ordering PLEASE QUOTE PART ID, MODEL Number & DESCRIPTIONS, NOT ITEM Number
determining left hand side from viewing position

AIRSLIDE, BAFFLE, BRICKS AND FIREBOX

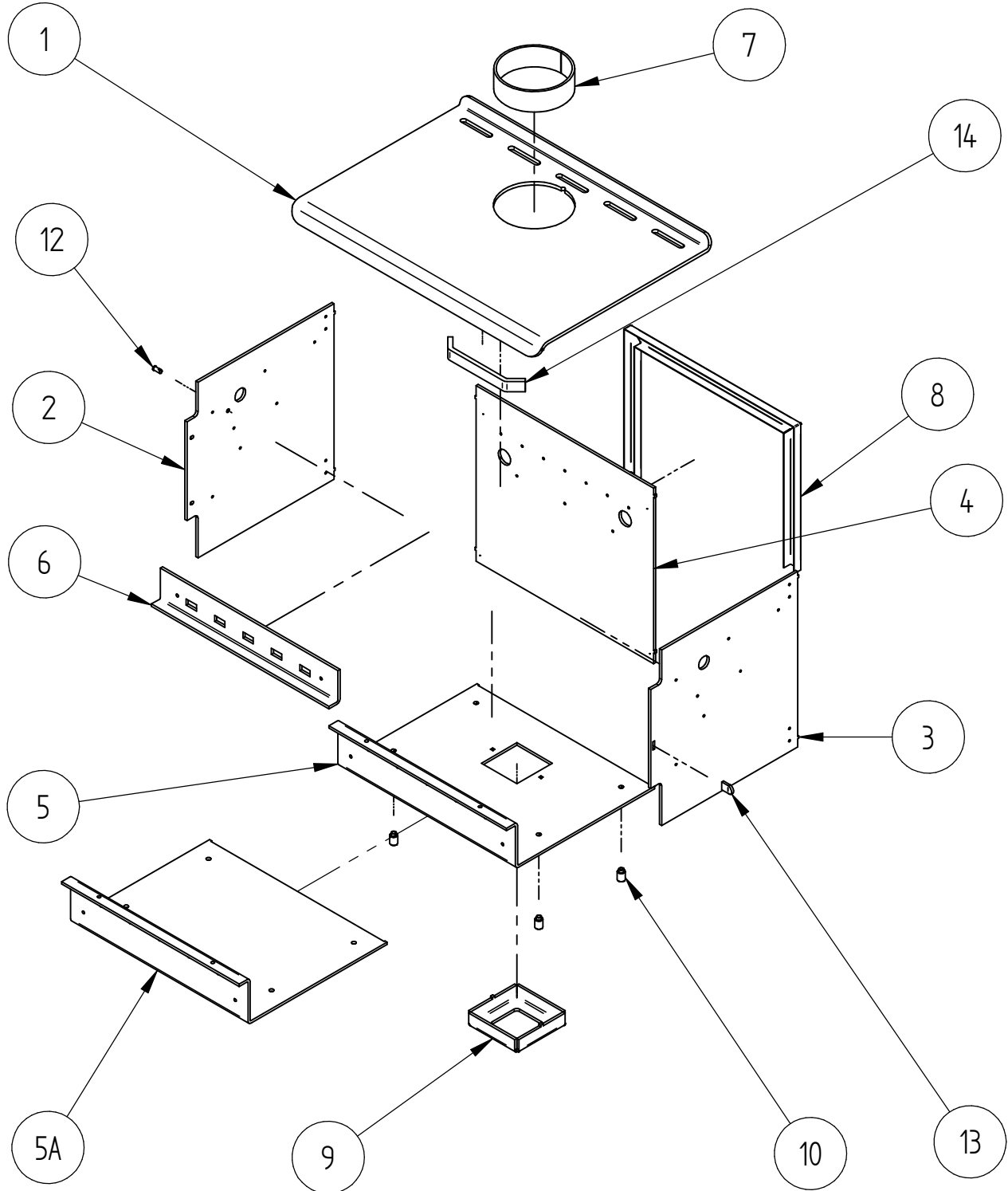


When ordering PLEASE QUOTE PART ID, MODEL Number & DESCRIPTIONS, NOT ITEM Number
determining left hand side from viewing position

AIRSLIDE, BAFFLE, BRICKS AND FIREBOX					
Item	Part ID	Model(s)		Description	Qty
		983911	983913		
1	HBA00118	-	-	HBA BRICK RETAINER	7
2	983222	-	-	AIR DEFLECTOR ASSY	1
3	983227	-	-	R5000 BAFFLE SUPPORT	2
4	KRR00130	-	-	KRR REAR BODY MOUNT BRKT	4
5	MICAC190	-	-	MIC DOOR HINGE ASSEMBLY	1
6	983239	-	-	TUBE-SEC AIR ASSY,21 X 4.0mm DIA R5000 S/S	1
7	983281	-	-	R5000 BAFFLE WELDED SUB ASSY AUS	1
8	983200	-	-N/A-	R5000 FIREBOX ASSY AUS	1
8A	983283	-N/A-	-	R5000 FIREBOX LEGS ASSY AUS	1
9	MIR00183	-	-	MIR DOOR RIDDLE	2
10	MIC00123	-	-	MIC SEC AIR CHANNEL	2
11	983255	-	-	R5000 AIRSLIDE HARDWOOD AUS	1
12	MIC00354	-	-	MIC BRICK	7
13	MIC00355	-	-	MIC BRICK HALF	2
14	522107	-	-	NUT; HEX STD M6 BLK	2
15	521067	-	-	SCREW; M8X25 HEX ZP	2
16	520002	-	-	BOLT; M6X55 HEX ZP	2
17	521059	-	-	SCREW; M6X30 HEX ZP	2
18	521052	-	-	SCREW; M6X16 HEX BLK	2
19	521046	-	-	SCREW; M6X10 PAN POZI ZP	12
20	521075	-	-	SCREW; M6X12 HEX ZP	7
21	521076	-	-	SCREW; M6X16 HEX ZP	4
22	522117	-	-	NUT; HEX STD M6 ZP	2
23	523035	-	-	WASHER; FLAT M8X22X3 HVY ZP	2
24	523018	-	-	WASHER; FLAT 5/16"X5/8" BLK	1
25	523036	-	-	WASHER; FLAT 1/4"X5/8" BLK	2
26	525007	-	-	PIN; TENSION 8X20 BLK BISSELL 001791	5
27	HBA00129	-	-	HBA AIR DEFLECTOR SPACER	2
28	593568	-	-	AIR SLIDE KNOB PUSH ON	1
29	MIC00083	-	-	LOGAIRE METRO AIR SLIDE SPACER	2
30	684089	-	-	PLUG, 34DIAPITTS/FATSO/WFIRE	2
31	522118	-	-	NUT; HEX STD M8 ZP	2
32	526101	-	-	CLIP; R-CLIP 1.8 DIA ST	1

When ordering PLEASE QUOTE PART ID, MODEL Number & DESCRIPTIONS, NOT ITEM Number
determining left hand side from viewing position

FIREBOX DETAILS (PEDESTAL)

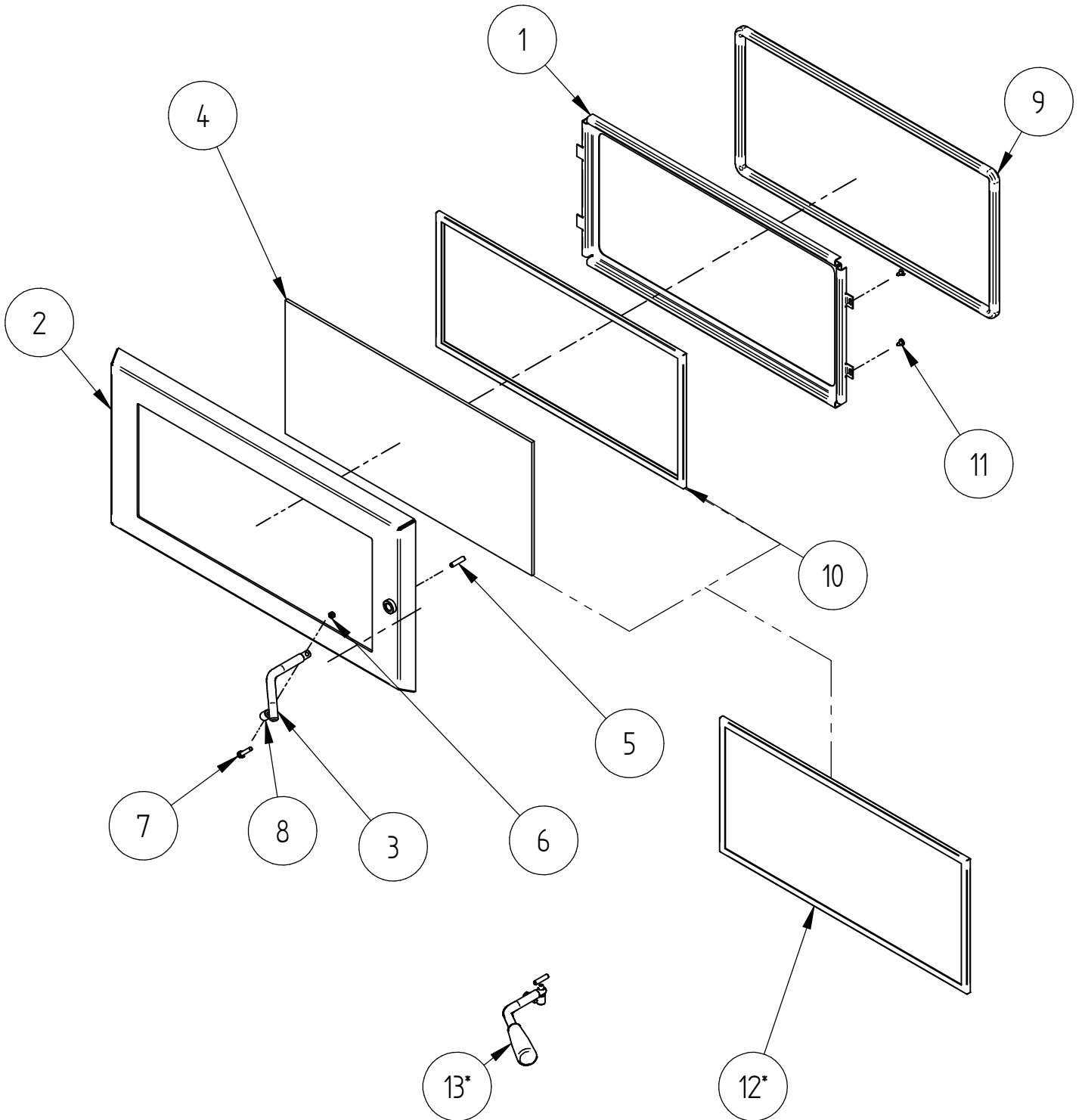


When ordering PLEASE QUOTE PART ID, MODEL Number & DESCRIPTIONS, NOT ITEM Number
determining left hand side from viewing position

FIRE BOX : 983200					
Item	Part ID	Model(s)		Description	Qty
		983911	983913		
1	983202	-	-	R5000 8mm RADIANT COOK TOP	1
2	983261	-	-	R5000 F/B LEFT HAND PANEL	1
3	983262	-	-	R5000 - F/B RIGHT HAND PANEL	1
4	983263	-	-	R5000 F/B REAR PANEL	1
5	983256	-	-N/A.-	R5000 F/B BOTTOM AUS H/W	1
5A	983282	-N/A.-	-		
6	983205	-	-	R5000 F/B FRONT TOP PANEL	1
7	MET00120	-	-	SPIGOT	1
8	983233	-	-	R5000 REAR F/B CHANNEL	1
9	983235	-	-N/A.-	R5000 F/B ASH DUMP CAVITY	1
10	MET00429	-	-	FIREBOX BUSH - SPIGOTED	4
12	MIC00137	-	-	MIC AIRBAR PIN	1
13	983049	-	-	TAB-DOOR LATCH, OSB1600	1
14	987843	-	-	DEFLECTOR-FLUE, F/B, TALISMAN	1

When ordering PLEASE QUOTE PART ID, MODEL Number & DESCRIPTIONS, NOT ITEM Number
determining left hand side from viewing position

DOOR ASSEMBLY

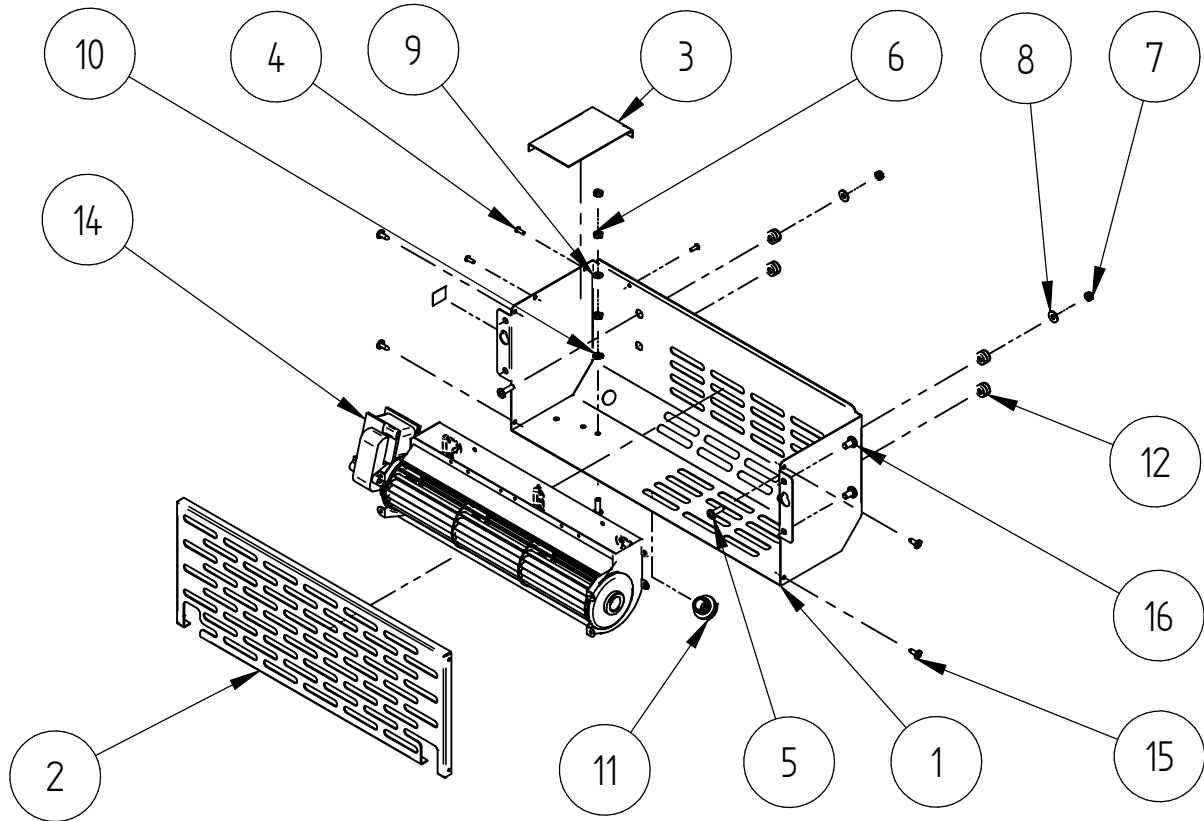


When ordering PLEASE QUOTE PART ID, MODEL Number & DESCRIPTIONS, NOT ITEM Number
determining left hand side from viewing position

DOOR ASSEMBLY : 983231					
Item	Part ID	Model(s)		Description	Qty
		983911	983913		
1	PFS00034	-	-	PFS GLASS RETAINER	1
2	983215	V02	V02	R5000 DOOR SUB ASSEMBLY	1
3	KRR00373	-	-	KRR DOOR LEVER	1
4	PFS00204	-	-	PFS GLASS	1
5	521704	-	-	SCREW; GRUB M6X25 ALLEN BLK	1
6	522901	-	-	NUT; BINX M5 ZP	1
7	521805	-	-	SCREW; CAP M5X25 ALLEN BLK	1
8	PYR00461	-	-	PYR HANDLE ROLLER	1
9	C14MMDR	-	-	DOOR ROPE 16MM X 50m ROLL (MTR)	1
10	C25MMLT	-	-	LADDER TAPE 25x3x50m ROLL (MTR)	1
11	521627	-	-	SCREW; S/T 8GX3/8" MUSH FLANGE POZI BLK	2
12*	PFS95204	-	-	PFS GLASS/TAPE SPARE KIT	1
13*	PYREDH	-	-	PYRE DOOR HANDLE ASSEMBLY	1

*Optional Sale Kit

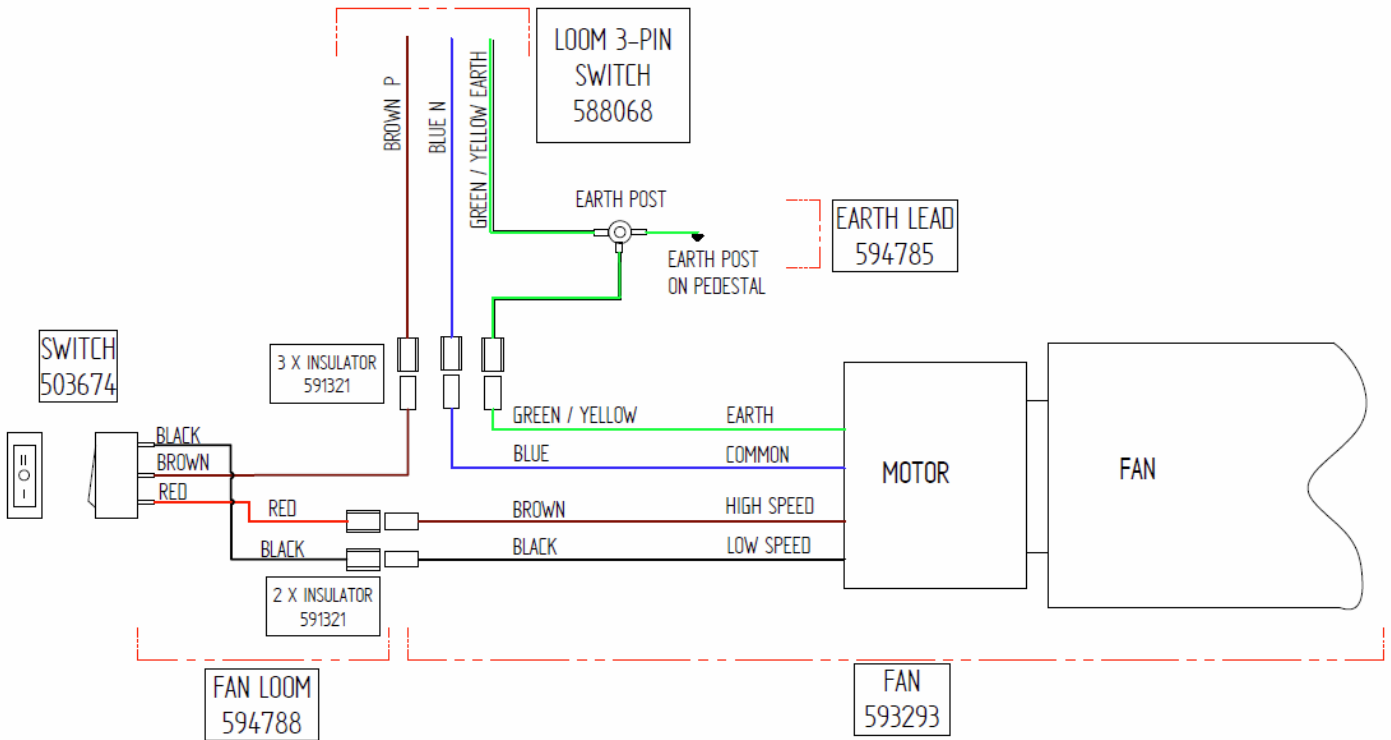
FAN BOX ASSEMBLY



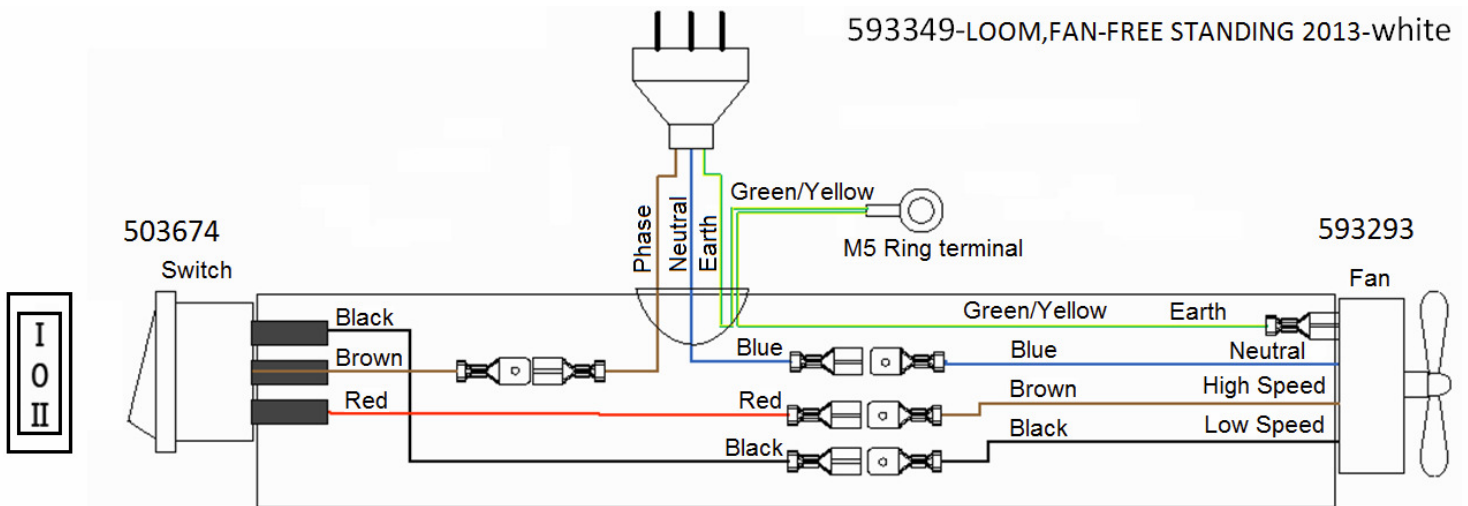
R5000 FAN BOX ASSAMBLY: 983915					
Item	Part ID	Model(s)		Description	Qty
		983911	983913		
1	983237	P02	P02	R5000/R12000 FAN CASING	1
2	983238	P02	P02	R5000 FAN BACKING PANEL	1
3	994794	-	-	SHIELD FAN PANEL FER GAS F3000	1
4	524002	-	-	RIVET; 73 AS 4-3	3
5	521033	-	-	SCREW; M5X16 PAN POZI BLK	3
6	522106	-	-	NUT; HEX STD M5 ZP	2
7	522305	-	-	NUT; NYLOCK M5 ZP	3
8	523000	-	-	WASHER; FLAT 3/16"X1/2"X18G ZP	2
9	523028	-	-	WASHER; FLAT M5 BRS	1
10	523204	-	-	WASHER; STAR M5 EXT	1
11	529201	-	-	CLAMP; CABLE 16 LITTLE GRIPPER	1
12	529402	-	-	GROMMET; 14X6	4
13*	585631	-	-	DECAL EARTH	1
14	593293	-	-	FAN-2 SP TANG W/F INB FER GAS 76118	1
15	521645	-	-	SCREW; S/T 8GX1/2" MUSH FLANGE POZI BLK	4
16	521045	-	-	SCREW; M6X10 PAN POZI BLK	4

When ordering PLEASE QUOTE PART ID, MODEL Number & DESCRIPTIONS, NOT ITEM Number
determining left hand side from viewing position

FAN LOOM DIAGRAM



FAN WIRING DIAGRAM W/F FREESTANDING 2011-2013 (AUSTRALIAN MODELS ONLY)



FAN WIRING DIAGRAM W/F FREESTANDING 2013 ONWARDS

When ordering PLEASE QUOTE PART ID, MODEL Number & DESCRIPTIONS, NOT ITEM Number
determining left hand side from viewing position

NOT ILLUSTRATED					
Item	Part ID	Model(s)		Description	Qty
		983911	983913		
1	593286	-	-	OWNER MANUAL WOODFIRES 2010	1
2	593287	-	-	INSTALL MANUAL WOODFIRES 2010	1
3	583268	-	-	R5000 SW & HW DATA SHEET	1
4	583270	-	-	R5000 BRICK LAYOUT	1
5	KRM00064	-	-	KRM FLUE DEFLECTOR PLATE	1

SURFACE FINISH CODES FOR PANELS						
VITREOUS ENAMEL		VHT PAINT(Very High Temp)			POWDER COAT	
E01	MATT BLACK	V02	P-000022	METALLIC BLACK	P02	MATT BLACK
E02	GLOSS BLACK	V03	P-000043	CHARCOAL	P03	CHARCOAL
E03	CHARCOAL	V04	P-000081	TITANIUM	P05	SATIN BLACK
		V05	P-000051	CHARCOAL (DAM MET BLK)	P09	METTALIC BLACK
		V06	P-000052	METALLIC BLACK ZINC		

LESS FREQUENTLY OR OLD SURFACE FINISH CODES FOR PANELS						
VITREOUS ENAMEL		VHT PAINT(Very High Temp)			POWDER COAT	
E04	JASMINE	V01		SATIN BLACK HIGH TEMP	P01	BLUE/BLACK
					P04	GLOSS CHARCOAL
					P07	FLAT BLACK

When ordering PLEASE QUOTE PART ID, MODEL Number & DESCRIPTIONS, NOT ITEM Number
determining left hand side from viewing position